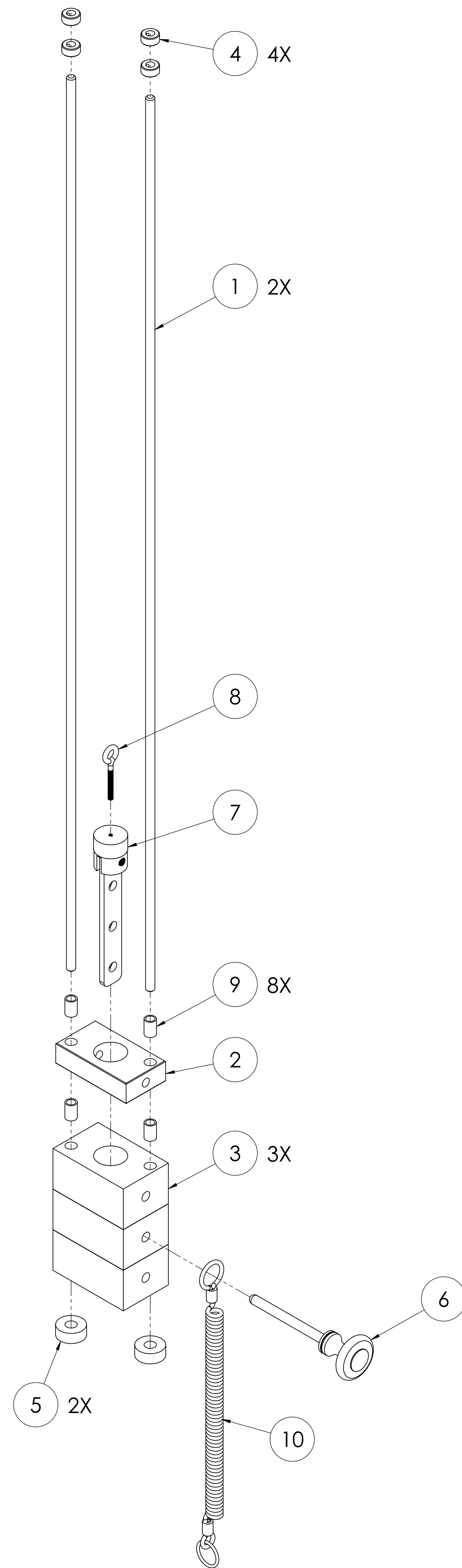


**MATRIX**

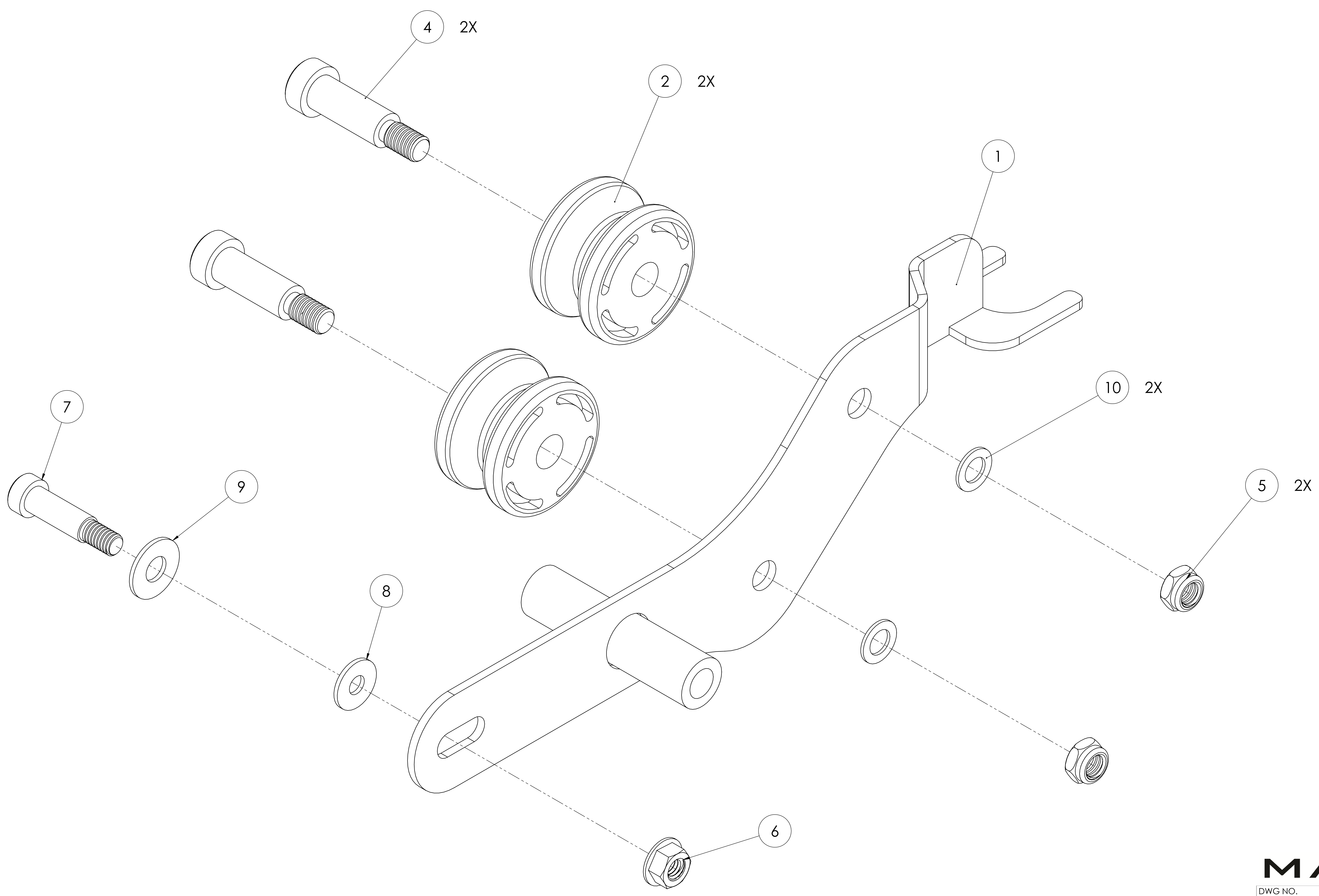
DWG NO.	2003M SERVICE		
DESCRIPTION:	LEG PRESS (Strength - Single Station)		
DRAWN BY:	LMB	DATE:	2013.SEP.09
UPDATED BY:	LG	DATE:	2022.AUG.08



**MATRIX**

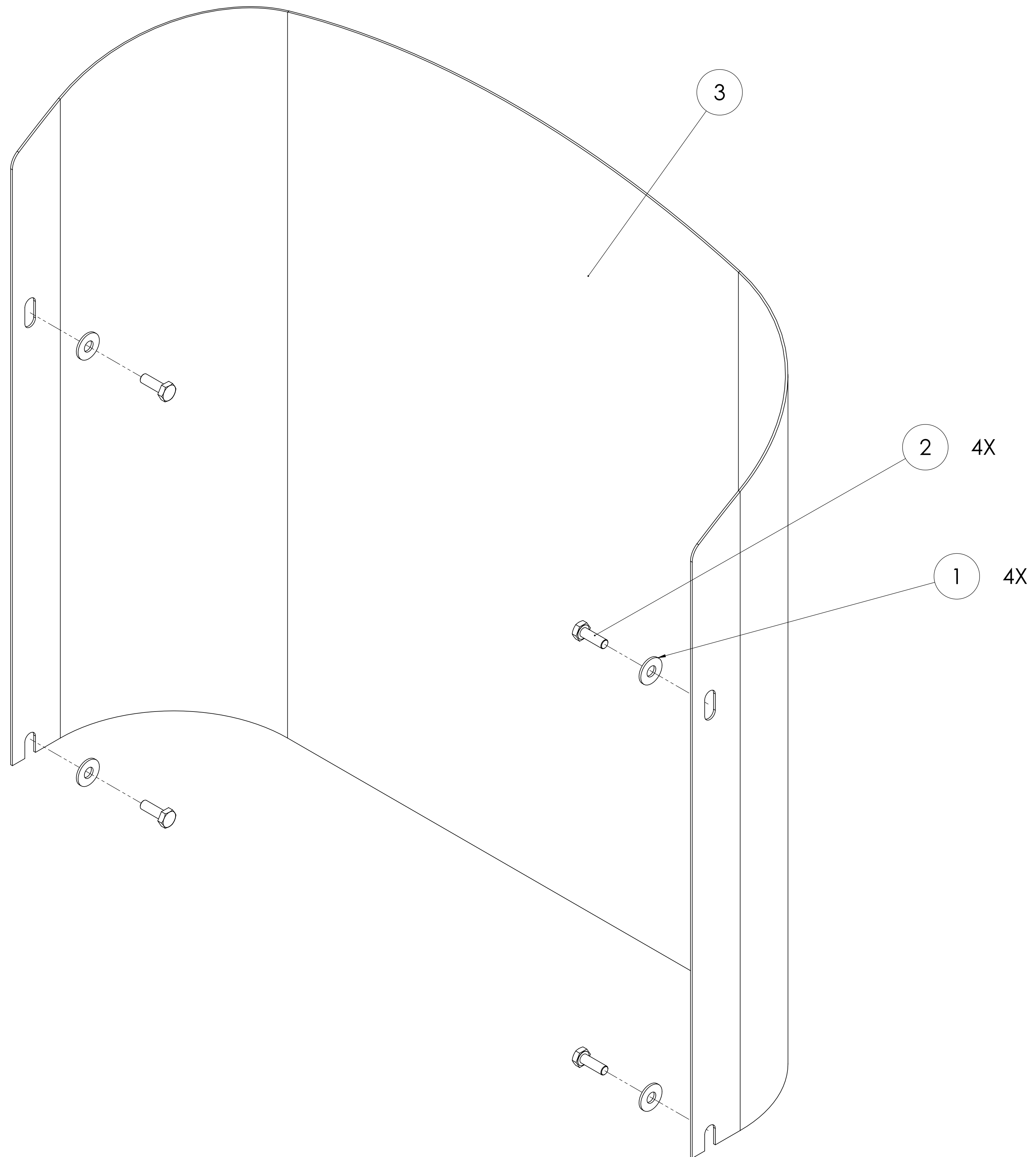
DWG NO.	103-218 SERVICE	
DESCRIPTION:	MINI WEIGHT STACK ASSY	
DRAWN BY:	LG	DATE: 2021.MAR.11
UPDATED BY:		DATE:





**MATRIX**

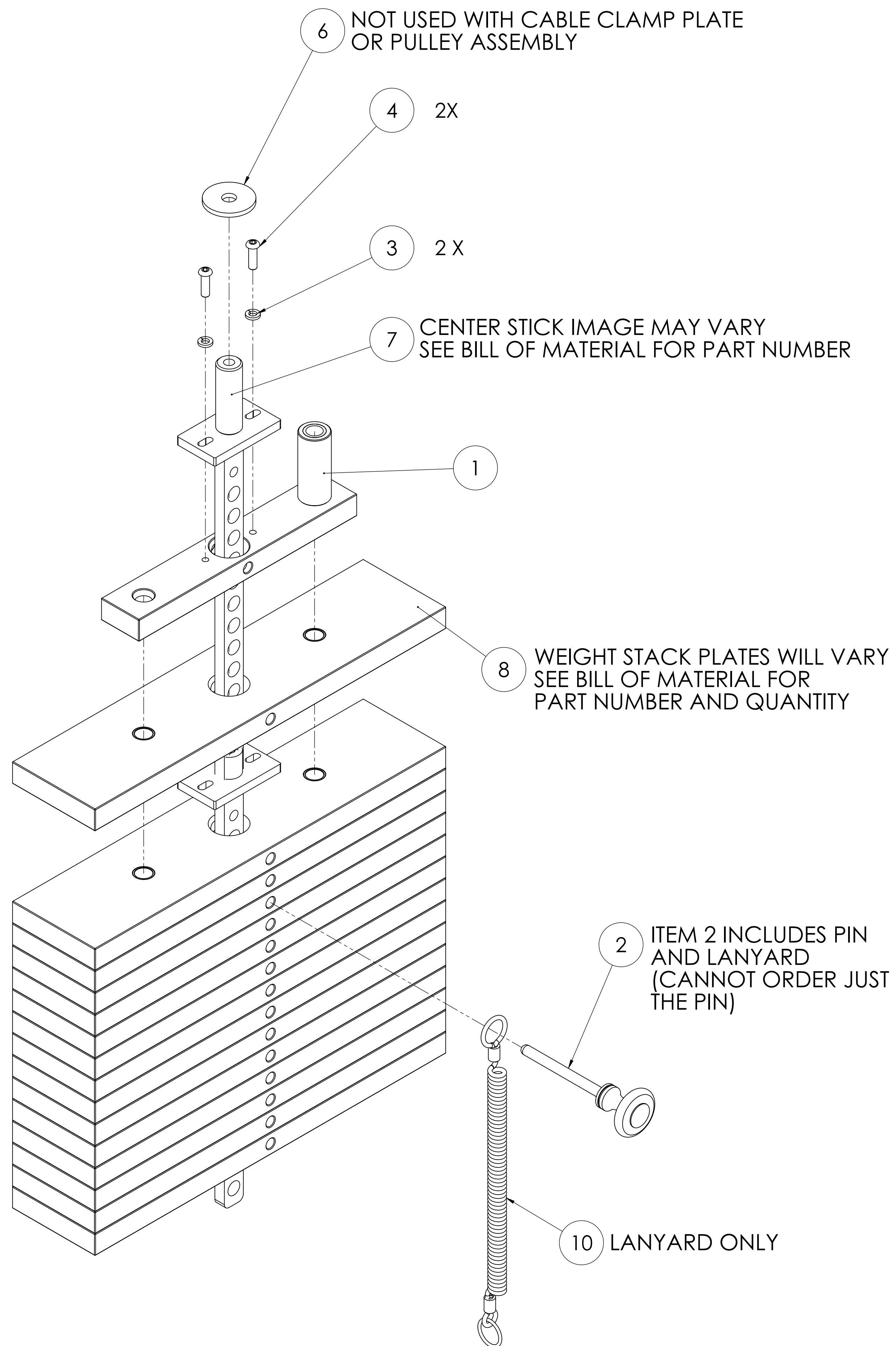
DWG NO.	160-039 SERVICE		
DESCRIPTION:	LEFT BANANA ASSEMBLY (Strength - Single Station)		
DRAWN BY:	LMB	DATE:	2013.SEP.10
UPDATED BY:	LMB	DATE:	2017.MAR.29



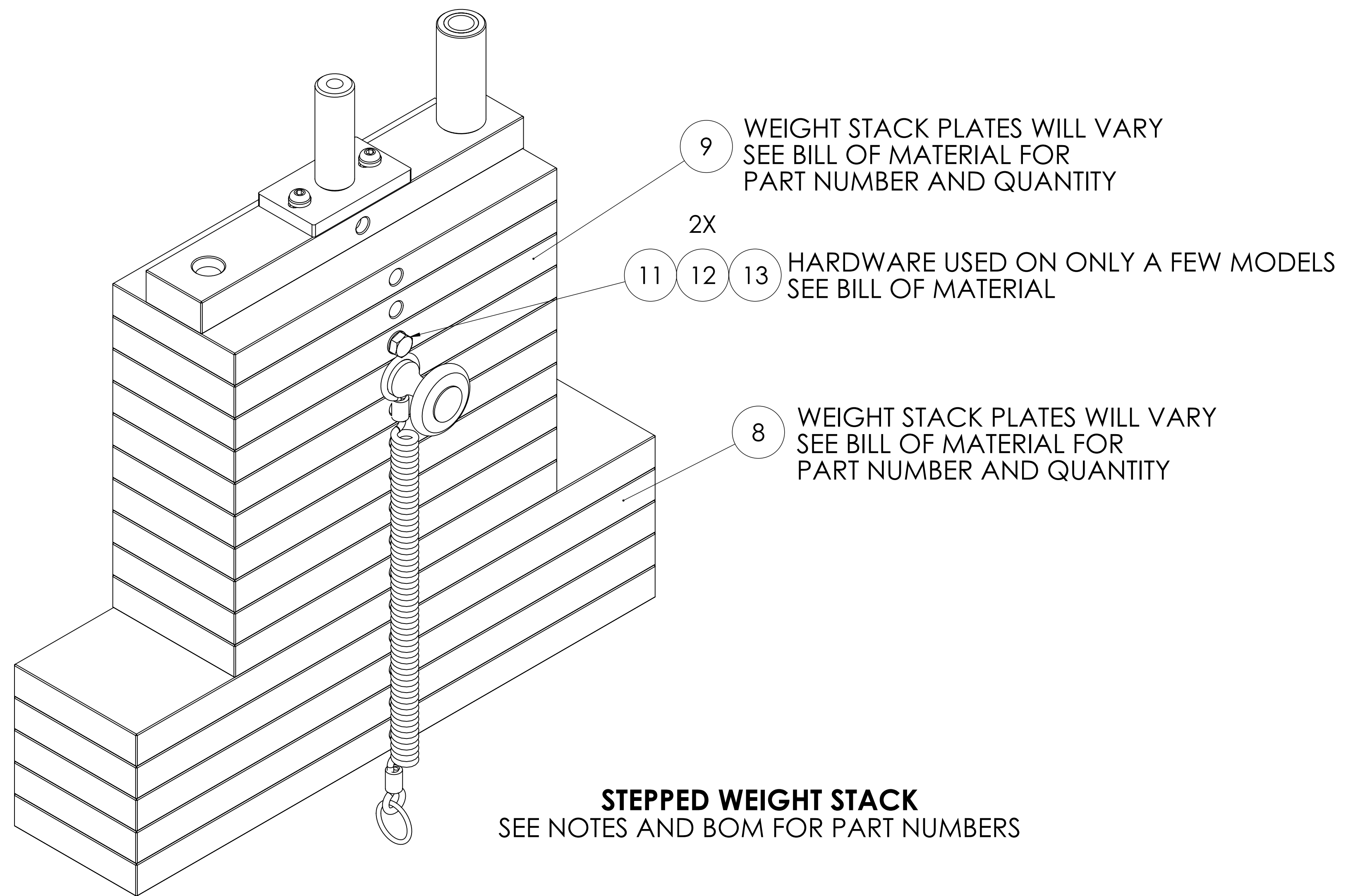
**MATRIX**

DWG NO.	160-136 SERVICE		
DESCRIPTION:	WEIGHT STACK GUARD 20XX RIGHT		
DRAWN BY:	LMB	DATE	2013.SEP.06
UPDATED BY:	LG	DATE	2019.SEP.06

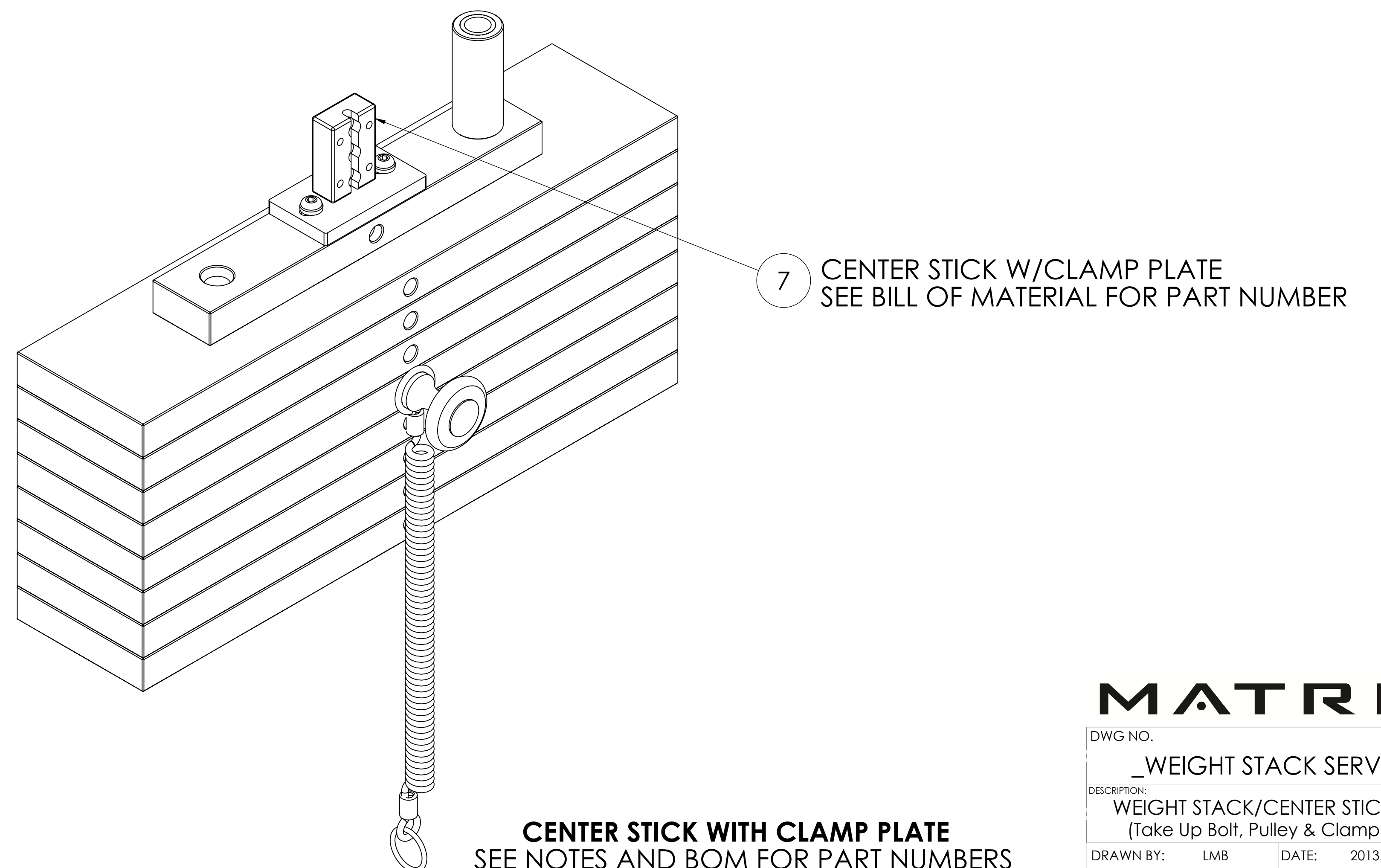




**CENTER STICK WITH MOUNTING POST  
CABLE MOUNTED WITH TAKE UP BOLT OR PULLEY  
(SHOWN EXPLODED)**  
SEE NOTES AND BOM FOR PART NUMBERS



**STEPPED WEIGHT STACK**  
SEE NOTES AND BOM FOR PART NUMBERS



**CENTER STICK WITH CLAMP PLATE**  
SEE NOTES AND BOM FOR PART NUMBERS

<b>MATRIX</b>		
DWG NO. <b>_WEIGHT STACK SERVICE</b>		
DESCRIPTION: <b>WEIGHT STACK/CENTER STICK ASSY (Take Up Bolt, Pulley &amp; Clamp Style)</b>		
DRAWN BY: LMB	DATE: 2013.OCT.10	
UPDATED BY: LG	DATE: 2022.APR.12	

Bubble#	OEM Number	Description
Mini WS 6	1000212618	Weight Stack Pin and Tether Set (JIS)
B51	1000308417	2" x 2" END CAP
B5	1000308421	HALF-ROUND RUBBER BUMPER
B36	1000308424	SPRING PIN ASSEMBLY
Z91	1000308428	3/8" NUT
Z31	1000308434	1 1/64"ID MACHINE BUSHING
Z30	1000308435	1 21/64" O.D. x 1 1/64" I.D. 14GA
Banana 9	1000308436	WASHER
Weight Stack 3	1000308436	WASHER
Z96	1000308436	WASHER
Z84	1000308437	SCREW
Banana 5	1000308439	NUT
Z35	1000308442	SCREW
Z94	1000308444	WASHER
Z44	1000308445	5/16" - 3" BOLT
Weight Stack Guard 1	1000308446	WASHER
Z93	1000308446	WASHER
Z32	1000308453	1 9/16"OD x 7/16"ID WASHER
V77	1000308473	Lable, hand pinch
Weight Stack 6	1000309846	1/2" JAM NUT
Z39	1000309847	WASHER, .50 OD X .38 ID X .05
Z95	1000309849	WASHER
Banana 3	1000309849	WASHER
Z90	1000309850	NUT
Z83	1000309851	SCREW
Z87	1000309853	SCREW
Z92	1000309854	NUT
Z33	1000309857	BHSCS 3/8 x 3/4"
Banana 6	1000309858	3/4" FLAT WASHER
Z43	1000309953	SCREW
Z89	1000310019	SCREW

Bubble#	OEM Number	Description
B63	1000310083	2" ROUND END CAP
B29	1000310085	1"ID x 1 1/4OD" FLANGED BUSHING
Z34	1000310088	Washer, Curved, 1/2"
Z81	1000310089	SCREW
B47	1000310095	1/2" OD x 1/4" ID Plastic Spacer - 1"
Z103	1000310096	1/4" SPLIT LOCK WASHER
Z46	1000310096	1/4" SPLIT LOCK WASHER
Z88	1000310097	SCREW
Z98	1000310103	SCREW
Z38	1000310211	1/4" HEX HEAD NUT
Weight Stack Guard 2	1000310219	SCREW
B6	1000310273	4" FOOT (SHORT)
B15	1000310289	3" Connector Joint
Z82	1000310301	SCREW
B70	1000310310	5/8" SPLIT COLLAR
Banana 8	1000310313	1/4" BLACK FLAT WASHER
B74	1000310331	10ga PLASMA - 1 1/2" x 5 1/4"
Weight Stack 1	1000310334	6000 TOP PLATE
B71	1000310339	ROUND WEIGHT STACK BUMPER
Weight Stack 2	1000310343	Orange SELECTOR PIN w/ 6 1/2" CORD
Weight Stack 8	1000310344	12 LB. STEEL WEIGHT PLATE WITH BUSHINGS
V78	1000310346	DECAL,SERIAL NUMBER NON-EN
B24	1000310559	Lever Lock Pin Assembly
B20	1000310667	1" CRR - 8"
B25	1000312044	MASTER LINK
Z86	1000312062	5/16" x 3/4" BOLT
Weight Stack 4	1000312064	5/16" x 1" BOLT
Z85	1000312089	SCREW
Z56	1000312143	1/4" x 1/2" BOLT
Z90	1000312161	NUT

Bubble#	OEM Number	Description
B22	1000312173	3" OD Snap Ring
B48	1000312233	3" ROUND END CAP
B28	1000312235	PLASTISOL ENVELOPE
B59	1000312237	3" FOOT
Z50	1000312278	1/2" OD x 1/4" ID Plastic Spacer - 1/2"
B21	1000312290	2"ID LINEAR BEARING
B3	1000312292	2" LINEAR SHAFT - 44"
B26	1000312304	3/8"ID x 1/2"OD x 5/8"L FLANGE BEARING
B66	1000312308	1" SPLIT COLLAR
Z37	1000312312	Ball Joint
B101	1000312324	Pulley
B23	1000312380	2 1/2" ID - 3 1/2" OD RUBBER DOUGHNUT -
B55	1000312382	1" ID - 10" Rubber Grip (5.5" No Cap)
Z100	1000312686	1/4-20 x 1" BOLT
Z95	1000312700	7/16" FLAT WASHER
B55	1000312890	Grip
Z49	1000312901	SHCS - 1/4-20 x 1 1/4"
Mini WS 5	1000312974	1/2" Rubber Bumper
V76	1000313470	Decal, ROM
B55	1000313553	1" Grip
V79	1000315894	DECAL MATRIX 11X1 - Black for Blue Moon, Iced Silve
AB2	1000316030	WELDMENT, BEARING
Mini WS 7	1000317624	Mini Weight Stack Center Stick
Mini WS Set	1000317632	MINI WEIGHT STACK ASSEMBLY
B64	1000317633	CABLE 2003
Weight Stack Set	1000317636	WEIGHT STACK 2003 14+1
B69	1000317640	5/8" GUIDE ROD - 53"
Banana 1	1000317641	LEFT BANANA
Mini WS 1	1000317641	3/8" Guide Rod - 44"
Mini WS 3	1000317649	2" x 4" F.S. - 2 9/16"



Bubble#	OEM Number	Description
Banana 4	1000317713	1/2" x 1 1/4" SHOULDER BOLT
Z97	1000317714	SCREW
Mini WS 8	1000317715	3/8" Eye Bolt
B53	1000317716	GUARD - UPPER PULLEY
B52	1000317717	GUARD - Placard Side
Mini WS 9	1000317720	Bushing
Mini WS 4	1000317722	3/8" Shaft Collar
V101	1000317726	2000 Series Add On Plate Number Set
B68	1000317727	5/8" RUBBER GROMMET
V102	1000328403	900 STACK DECALS, MEDIUM
B56	1000331358	1.25" Grip
AB1	1000333920	Main Frame
AB1	1000333921	Main Frame
AB1	1000333922	Main Frame
AB14	1000333986	MAIN FRAME SUB-ASSEMBLY
AB14	1000333987	MAIN FRAME SUB-ASSEMBLY
AB14	1000333988	MAIN FRAME SUB-ASSEMBLY
B42	1000334025	60# Long SHOCK
V103	1000334047	2010 Placard
V103	1000334047	2011 Placard
V103	1000334048	2010 Placard
V103	1000334048	2011 Placard
Weight Stack Guard S	1000334055	2000 TOWER SERIES WEIGHT STACK GUARD
B65	1000335318	CLAMP - COVER
Banana 7	1000341348	Bayonet
Banana 2	1000341350	Top Weight Plate
Mini WS 2	1000341350	1" x 2 1/4" F.S. -4"
V79	1000344562	Decal
V104	1000344759	ROM Decal
B70	1000345600	5/8# Single Split Collar

<b>Bubble#</b>	<b>OEM Number</b>	<b>Description</b>
B74	1000346601	Stabilizer Foot
B7	1000347532	4" CABLE PULLEY - 3/8" NARROW HOLE
B45	1000349022	1/8" Plasma Cable Keeper
B45	1000349023	1/8" Plasma Cable Keeper
B45	1000349024	1/8" Plasma Cable Keeper
Banana 10	1000349840	5/16" Flange Nut
AB9	1000353992	Main Carriage Slide
AB9	1000353993	Main Carriage Slide
AB9	1000353994	Main Carriage Slide
Not Shown	1000363756	Warning Label
V80	1000363760	Warning Label
V80	1000363766	Warning Label
Banana 3	1000381724	Mini Weight Stack Plate, Black Ridge
V78	1000384006	Serial Number Label
Banana Set	1000384347	MINI WEIGHT STACK LEFT ASSY
AB8	1000387090	WELDMENT
AB8	1000387091	WELDMENT
AB8	1000387092	WELDMENT
Z104	1000405684	SCREW
B67	1000418320	PLATE TOP
AB10	1000421385	Carriage
AB10	1000421386	Carriage
AB10	1000421387	Carriage
AB11	1000421400	Back Pad Frame
AB11	1000421401	Back Pad Frame
AB11	1000421402	Back Pad Frame
AB12	1000421415	Adjustment Slide
AB12	1000421416	Adjustment Slide
AB12	1000421417	Adjustment Slide
B13	1000421429	2" x 2" TUBE - 18 3/8"

Bubble#	OEM Number	Description
AB4	1000421430	ADJUSTMENT TUBE, CHROMED
AB18	1000421432	Lever
AB18	1000421433	Lever
AB18	1000421434	Lever
Weight Stack 7	1000421450	CENTER STICK
Weight Stack Guard 3	1000474296	Weight Stack Guard
B16	1000474323	Footplate PU 2003M
B17	1000474325	Foot Plate
B53	1000477206	Guard, Top Outside
B52	1000477209	Guard, Top Inside w/Decal
AB19	1000479778	Foot Plate w/ Handle
Mini WS 10	005847-A	Lanyard
Weight Stack 10	005847-A	Lanyard